

GE
Lumination

Call 925-455-5267

RX11 LED Arrow Signals

12 inch Red, Yellow, Green

Features, Benefits and Values

- High efficiency & long life LED light source
- Designed to conform to applicable ITE specifications and Caltrans light intensity requirements
- Failure of single LED results in loss of light from only that LED
- Moisture and dust resistant
- Direct retrofit design
- Incandescent look
- Masked arrow for better definition
- All products shipped with installed gasket
- EPACK 2005 compliant



www.jamservicesinc.com

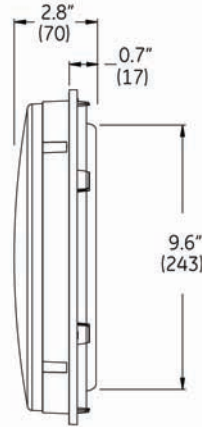
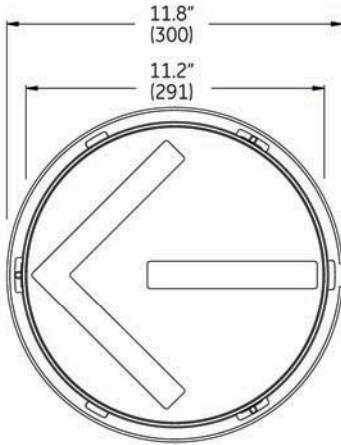
RX11 LED Arrow Signals

- 12 inch Red, Yellow, Green



Mechanical Outline

Dimensions in inches. (mm) indicates metric equivalent



Design Compliance

Test Type	Compliance
Chromaticity	ITE VTCSH-STD Part 2
Moisture Resistance	NEMA STD 250 Type 4 - 1991
Mechanical Vibration	MIL-STD-883 Method 2007
Electronic Noise	FCC Title 47 Sec 15 Sub. B ¹
Transient Voltage Protection	ITE VTCSH-STD Part 2
Controller Compatibility	NEMA TS-2-1992
Wiring	National Electric Code

¹ Class A

Operating Specifications

Parameter	Rating
Operating Temperature Range	-40 to + 74°C (-40 to +165°F)
Operating Voltage Range	80 to 135 V (60Hz AC)
Power Factor (PF)	> 90 %
Total Harmonic Distortion (THD)	< 20 %
Voltage Turn-off (VTO)	45 V
Lens & Shell Material	UV Stabilized Polycarbonate
Wiring	16 AWG, Color Coded with Strain Relief

Product Information

Model Number	AC Voltage	Power (W)	Wavelength (nm)
	Nominal	Nominal	Dominant
DR6-RTAAN-21A	120V - 60 Hz	5	626
DR6-YTAAAN-21A	120V - 60 Hz	10	589
DR6-GCAAN-21A	120V - 60 Hz	5	508
DR6-GTAAAN-21A	120V - 60 Hz	5	508

Standard product equipped with spade connectors.

Distributed by:



Call 925-455-5267

www.jamservicesinc.com